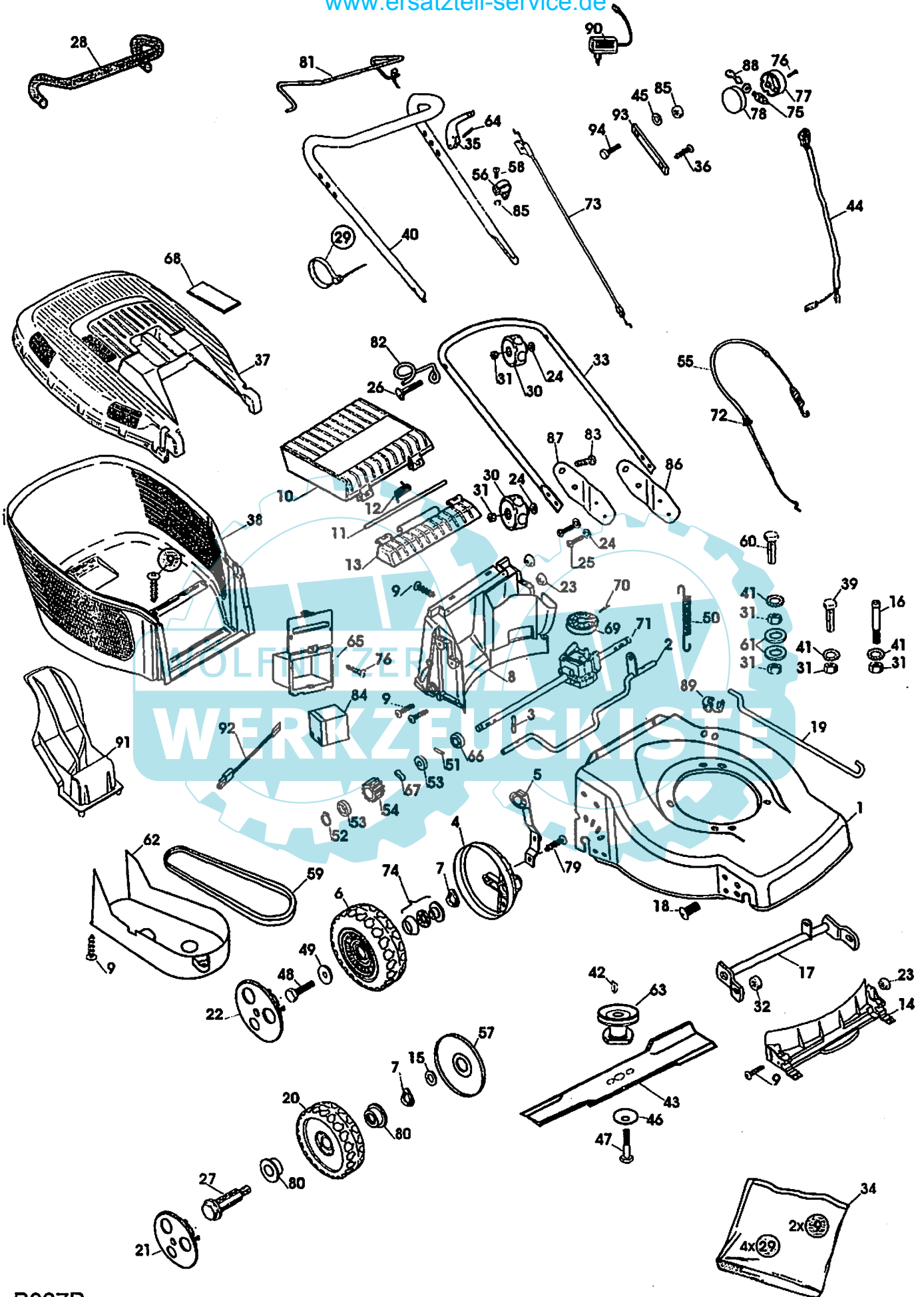


B027B



Ausgabe Issue 2001-1		Bild Nr. Picture No B027B		VARIOLUX 45 BCAE		VARIOLUX 45 BCAE		Seite Page 34	
Pos. Fig.	Anzahl/Quantity			Artikel Nr. Part No	Bezeichnung	Description	Satz Kit	Anmerkung Notes	
	1			1117-1216-02	Chassie-rot .....	Chassis-red .....			
	2	1		1117-1173-01	Hinterachse .....	Shaft-backside .....			
	3	2		9595-0212-00	Spannstift .....	Locating pin .....			
X	4	2		1117-3256-01	Raddeckel .....	Wheel protection cap .....			
	5	1		1117-1174-01	Höheneinstellhebe .....	Height adjust lever .....			
	6	2		1111-2665-01	Rad mit Kugellager .....	Wheel assy .....		Inkl. 74	
	7	4		9694-0003-00	Scheibe .....	Washer .....			
	8	1		1117-3008-01	Leitschiene-hintere .....	Baffle-rear .....			
	9	14		9836-9516-12	Schraube .....	Screw .....			
	10	1		1117-1156-02	Klappe-schwarz .....	Rear flap-black .....			
	11	1		1117-1143-01	Achse .....	Shaft .....			
	12	1		1117-1126-01	Feder .....	Spring-rear flap .....			
	13	1		1117-1155-02	Klapphalterung-schw. ....	Flap holder-black .....			
	14	1		1117-3007-01	Leitschiene-vordere .....	Baffle-front .....			
	15	2		9699-0078-02	Scheibe .....	Washer .....			
	16	1		1117-1179-01	Bolzen .....	Bolt .....			
	17	1		1117-1334-01	Vorderachse .....	Front shaft .....			
	18	2		9865-0816-16	Schraube .....	Screw .....			
	19	1		1117-1130-01	Höheneinstellstange .....	Connection rod .....			
	20	2		1111-3163-01	Rad .....	Wheel .....			
X	21	2		1111-2804-11	Nabenkapsel-grau .....	Hub cap-grey .....			
X	22	2		1111-2815-11	Nabenkapsel-grau .....	Hub cap-grey .....			
	23	6		1117-1131-01	Mutter .....	Nut .....			
	24	8		9699-0028-02	Scheibe .....	Flat washer .....			
	25	4		1117-1364-01	Schraube .....	Screw .....			
	26	2		9898-0845-12	Schraube .....	Screw .....			
	27	2		1111-3164-01	Radbolzen .....	Wheel axle bolt .....			
	28	1		1117-3036-01	Griff .....	Foam grip .....			
	29	4		9579-0008-00	Kabelhalter .....	Cable holder .....			
	30	4		1117-3194-01	Verriegelungsrad .....	Locking knob .....			
	31	8		9799-0831-02	Mutter .....	Nut .....			
	32	2		9716-0831-02	Mutter .....	Nut .....			
	33	1		1117-3034-01	Führungsholm-Untert. ....	Handlebar-lower .....			
	34	1		1117-3028-01	Montagesatz .....	Assy kit .....			
	35	1		1117-3221-01	Regulierbügel .....	OPC lever .....			
	36	1		9836-9520-12	Schraube .....	Screw .....			
	37	1		1117-1157-02	Behälterdeckel-schwar. ....	Grassbag cover-black .....		Inkl. 68	
	38	1		1117-1218-01	Behälter-Unterteil .....	Lower grass bag .....			
	39	1		9997-0830-16	Schraube .....	Screw .....			
	40	1		1117-3035-01	Führungsholm-Obert. ....	Handlebar-upper .....		Inkl. 28	
	41	3		9678-0009-02	Schloßscheibe .....	Lock washer .....			
	42	1		9600-0014-00	Keil .....	Key .....			
	43	1		1111-9718-01	Messer .....	Blade .....			
	44	1		1117-1254-01	Kabelbündel .....	Harness .....			
	45	1		9699-0025-02	Scheibe .....	Washer .....			
	46	1		1117-1065-01	Tellerfeder .....	Spring washer .....			
	47	1		9987-5251-12	Schraube .....	Screw .....			
	48	2		9997-0614-16	Schraube .....	Screw .....			
	49	2		1117-1175-01	Scheibe .....	Washer .....			
	50	1		1117-1120-01	Feder .....	Spring .....			
	51	2		9591-0011-00	Stift .....	Pin .....			
	52	2		1117-1083-01	SchlieBring .....	Safety ring .....			
	53	4		1111-2830-01	Stützscheibe .....	Support washer .....			
	54	2		1111-3075-01	Zahnrad .....	Gear wheel .....			
	55	1		1117-1190-01	Kupplungsdraht .....	Clutch cable .....		Inkl. 72	
	56	1		1117-1114-01	Drahthalter .....	Support .....			
	57	2		1117-1161-01	Radschutz .....	Wheel protection .....			
	58	1		9865-0616-16	Schraube .....	Screw .....			
	59	1		1117-3017-01	Keilriemen .....	V-belt .....			
	60	1		9997-0840-16	Schraube .....	Screw .....			
	61	2		9699-0062-02	Scheibe .....	Flat washer .....			
	62	1		1117-1147-01	Riemenschutz .....	Transmission cap .....			
	63	1		1111-9716-01	Messerhalterung .....	Blade holder .....			



B027B



Ausgabe Issue		Bild Nr. Picture No		VARIOLUX 45 BCAE	VARIOLUX 45 BCAE	Seite Page		
2001-1		B027B				36		
Pos. Fig.	Anzahl/Quantity			Artikel Nr. Part No	Bezeichnung	Description	Satz Kit	Anmerkung Notes
X 64	1			9595-0258-00	Spannstift .....	Locating pin .....		
65	1			1111-3339-01	Batteriehalter .....	Battery holder .....		
66	2			9549-0053-00	Kugellager .....	Ball bearing .....		
67	2			1111-2827-01	Treibkeil .....	Drive key .....		
68	1			1117-1135-02	• Deckel-schwarz .....	• Cover-black .....		
69	1			1117-3018-01	• Riemenscheibe .....	• Pulley .....		
70	1			1111-2382-01	• Stift .....	• Pin .....		
71	1			1117-3016-01	Getriebe .....	Gera box assy .....		Inkl. 69 + 70
72	1			1117-1180-01	• Kabelhalter .....	• Cable fixation .....		
73	1			1117-1183-01	Motorbremsdraht .....	Engine brake cable .....		
74	1			1111-9047-01	• Kugellagersatz .....	• Ball bearing kit .....		
75	1			9400-0186-00	Zündschloß .....	Starting switch assy .....		
76	2			9836-9216-12	Schraube .....	Screw .....		
77	1			1111-2020-01	Gehäuse .....	Housing .....		
78	1			1111-2021-01	Deckel .....	Cover .....		
79	2			9836-9512-12	Schraube .....	Screw .....		
80	4			9549-0053-00	Kugellager .....	Ball bearing .....		
81	1			1117-1374-01	Bügel .....	Control handle .....		
82	1			1117-1116-01	Schnurhalter .....	Ropeholder .....		
X 83	2			9898-0835-12	Schraube .....	Screw .....		
X 84	1			9400-0291-01	Batterie .....	Battery .....		
85	1			9799-0631-02	Mutter .....	Nut .....		
86	1			1117-1340-01	Halter-links .....	Handle support-L.H. ....		
87	1			1117-1341-01	Halter-rechts .....	Handle support-R.H. ....		
88	1			1134-2848-01	Zündschlüssel .....	Ignition key .....		
89	1			1117-1180-01	Kabelhalter .....	Cable fixation .....		
90	1			9400-0219-00	Ladegerät .....	Charger .....		
X 91	1			1117-3001-01	Mulcherpropfen .....	Mulch plug .....		
X 92	1			1117-3282-01	Batteriekabel .....	Battery cable .....		
X 93	1			1117-3281-01	Stütze .....	Support .....		
94	1			9997-0640-12	Schraube .....	Screw .....		